

# PERFORMANCE DATA

PAVER (TIER 3)

BF 800 C



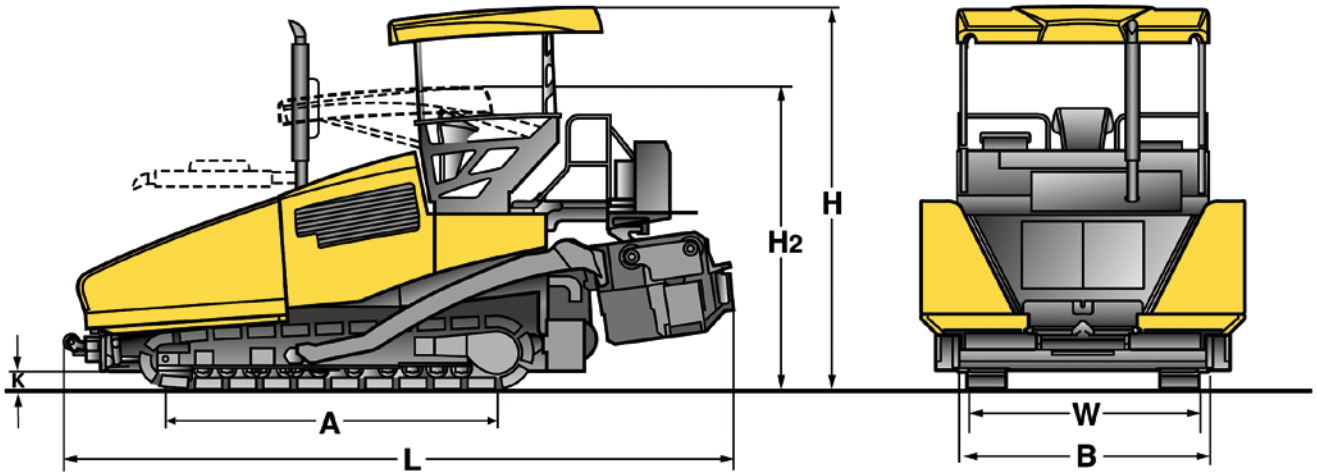
Greatest durability



Shorter set-up times



Exemplary efficiency



**Dimensions in mm**

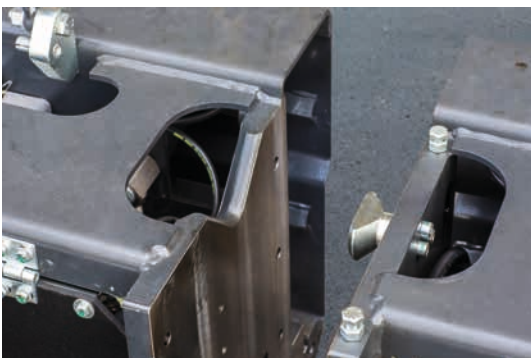
	<b>A</b>	<b>B</b>	<b>H</b>	<b>H<sub>2</sub></b>	<b>L</b>	<b>W</b>
<b>BF 800 C S 500</b>	3360	2550	3865	3055	6800	2550
<b>BF 800 C S 600</b>	3360	3000	3865	3055	6800	3000



Save up to 17 % fuel – demand-driven hydraulics – with BOMAG ECOMODE.



Heats up nearly 60 % quicker – unique MAGMALIFE heating system.



Attaching is up to 48 % quicker – thanks to the BOMAG QUICK COUPLING SYSTEM.



The right position in each situation – the comfortable driver's cabin.

## Technical Data

## BOMAG BF 800 C S 500

### Weight CECE

With S 500 screed / with S 600 screed ..... kg 22000 / 22500

### Dimensions

Transport length ..... mm 6800  
Transport width ..... mm 2550 / 3000  
Transport height ..... mm 3055

### Travel characteristics

Travel speed (1) ..... km/h 0-4,5  
Working speed (1) ..... m/min 0-25

### Drive

Engine manufacturer ..... DEUTZ  
Type ..... TCD 2012 L06  
Exhaust classification..... Stage III a / Tier 3  
Cooling ..... Water  
Number of cylinders..... 6  
Rated power ISO 3046..... kW 135  
Speed ..... min<sup>-1</sup> 2000

### Crawler assembly

Crawler track .....  
-Axle base ..... mm 2700  
-Width..... mm 300

### Hopper

Capacity ..... m<sup>3</sup> 7,2  
Width (wings open)..... mm 3320  
Width (wings closed)..... mm 2250  
Length ..... mm 2010  
Filling height (middle) ..... mm 500

### Scraper belt / auger

Number ..... 2  
Width ..... mm 400  
Speed ..... U/min 60  
Individual control ..... Standard  
Reversing operation ..... Standard

### Conveyor auger

->Number ..... 2  
->Auger diameter ..... mm 400  
->Rotary speed ..... U/min 95  
->Reversing operation..... Standard

### Screed

Screed type ..... S 500 / S 600  
Screed type ..... S 500 / S 600  
Basic width retracted ..... mm 2550 / 3000  
Basic width extended..... mm 5000 / 6000  
Max. working width ..... mm 9000 / 10000  
min. width with reduction skids ..... mm 1800 / 2300  
Mat thickness ..... mm 300  
Smoothing plate depth..... mm 400  
Smoothing plate thickness..... mm 15  
Heating ..... Elektric  
Crown ..... % -2,5 ... +4,5  
Tamper frequency..... Hz 0-29  
Vibration frequency ..... Hz 20-58  
Basic weight ..... kg 3900 / 4200

### Filling capacities

Fuel ..... l 315  
Hydraulic oil..... l 160

### Standard equipment

- SIDEVIEW
- Driver's seat: with swivel and side-shift
- Protection; dashboard
- Hydraulic hinged roof
- Digital display for machine management
- Separate control of hopper wings
- Cleaning kit
- Hydraulic, height adjustable auger
- Track scraper
- L.C.S. Screed relief and traction increase system
- Screed temperature control
- Cast heating elements
- Automatic screed heating
- Hydraulic screed control
- Crown adjustment
- 6 work lights
- Side control of auger/scraper belts
- Tools
- Rubber track plates
- 30 kVA generator
- Socket 2 x 240 volt
- 2 proportionally controlled and reversible wear-resistant cast augers; screw blades separately replaceable
- 2 independent and reversible scraper belts; high- wear resistant plates

### Optional equipment

- Hydraulic hopper front flap
- Hydraulic/electric movable platform
- Hydraulic crown adjustment
- Hinged side plates
- Heated side plates
- Side windscreened platform
- Seat warmer
- Asphalt steam extraction
- Biologically degradable hydraulic oil
- Central lubrication system
- L.C.S. half-sided
- Optional paint finish
- S 500 + S 600 extensions:
  - 250 mm
  - 500 mm
  - 750 mm
  - 1250 mm
- Reduction shoe
- Edge shaper 45°/60°
- Light balloon
- Socket 2 x 240 volt
- Levelling systems: Height and cross-slope sensing by means of ultrasonic or mechanical sensors

