

TECHNICAL DATA

PAVER (TIER 3)

BF 200 C-2



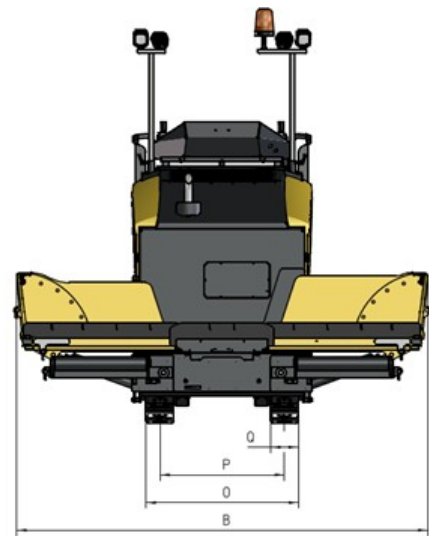
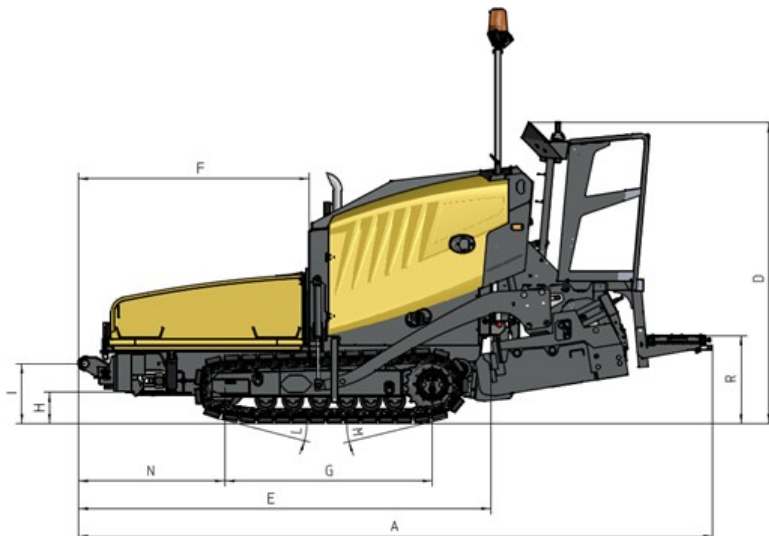
Greatest durability



Shorter set-up times



Exemplary efficiency



Dimensions in mm

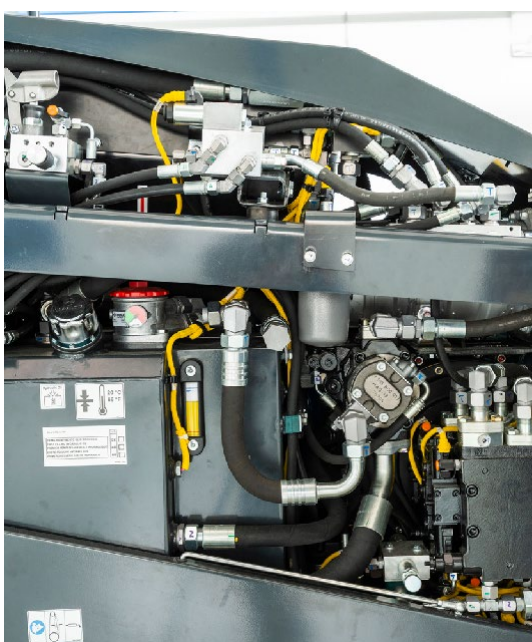
	A	B	D	E	F	G	H	I	L	M	N	O	P	Q	R
BF 200 C-2	4600	2980	1995-2195	2986	1671	1500	228	433	14°	14°	1061	1100	900	200	458-658



Two level platform concept - best view without compromises.



Compact and agile - unique recipe for full flexibility.



Save up to 20 % fuel – demand-driven hydraulics – with BOMAG ECOMODE.



Heats up nearly 60 % quicker – unique MAGMALIFE heating system.

Technical Data**BOMAG
BF 200 C-2****Weights**

Operating weight CECE kg 6.000

Dimensions

Transport length mm 4.270
Transport width mm 1.300
Transport height mm 1.995

Travel characteristics

Travel speed km/h 0-4,5 variable
Working speed m/min 0-29 variable

Drive

Engine manufacturer Kubota
Type V3307-T
Emission stage Stage IIIa / TIER3
Cooling liquid
Number of cylinders / Displacement cm³ 4 / 3.330
Performance kW / hp 55,4 / 74,3
Speed min-1 2.200
Performance ECOMODE (1.570 min-1) kW / hp 43,3 / 58,9
Performance ECOMODE (1.800 min-1) kW / hp 48,6 / 66,1

Hopper

Capacity m³ 2,0
Width (wings open) mm 2.980
Width (wings close) mm 1.300
Length mm 1.400
Filling height (middle) mm 433

Conveyor

Number 1
Rotary speed m/min 33
Individual control no
Reversing operation Standard

Auger

Number 2
Auger diameter mm 300
Rotary speed min-1 87
Reversing operation Standard

Screed

Basic width retracted mm 1.100
Basic width extended mm 2.000
Min. width with reduction skids mm 400
Mat thickness mm 200
Screed plate depth mm 250
Screed plate thickness mm 10
Heating electric
Crown % -2,0 ... +4,0
Tamper frequency (TV/V) Hz max. 30 / n.a.
Vibration frequency Hz max. 60
Basic weight (TV/V) kg 790 / 700
Max. working width mm 3.400

Filling capacities

Fuel l 80
Hydraulic oil l 60

Technical modifications reserved. Machines may be shown with options.

Standard Equipment

Operator compartment

- Dashboard protection
- Digital display for machine management
- SIDEVIEW with a double steering and travel joystick

Tractor

- ECOMODE
- Push rollers
- Separate control of hopper wings
- 2 proportionally controlled and reversible wear-resistant cast augers; screw blades separately replaceable
- Rubber track pads

Screed

- Screed temperature control
- Mechanical screed lock
- Crown adjustment
- Side control of auger/scrapper belts

Other

- Tools
- Three phase Generator

Hopper

- Viewing tunnel

Optional Equipment

Operator compartment

- Two platform concept

Tractor

- Integrated cleaning kit
- Asphalt steam extraction
- Optional paint finish
- Biologically degradable hydraulic oil
- Hydraulic, height adjustable auger
- Track scraper
- Direction rod

Screed

- Hydraulic crown adjustment
- S 200 extensions: 350 mm
- MAGMALIFE Aluminium heating plates
- Heated side plates
- Reduction shoes

Levelling systems

- L.C.S. Screed relief and traction increase system
- Height and cross-slope sensing by means of ultrasonic or mechanical sensors

Other

- Fleetmanagement BOMAG TELEMATIC
- LED working lights
- Sunroof

Hopper

- Hydraulic side flap

